

BARNWELL TO HAMILTON CONDENSATE LINE PROJECT

**PROJECT NUMBER CP00422802
COLUMBIA, SC
CONSTRUCTION DOCUMENTS**

DRAWING INDEX

GENERAL

T1 TITLE SHEET

MECHANICAL

**M1 SITE PLAN
M2 DETAILS, NOTES, MANHOLE DIAGRAMS
AND LEGEND**

**CAMPUS PLANNING
AND CONSTRUCTION
COLUMBIA, SC 29208**

SEAL:

CHECKED BY:	WCL
ORIG. BY	DRAWN BY
DATE	DATE

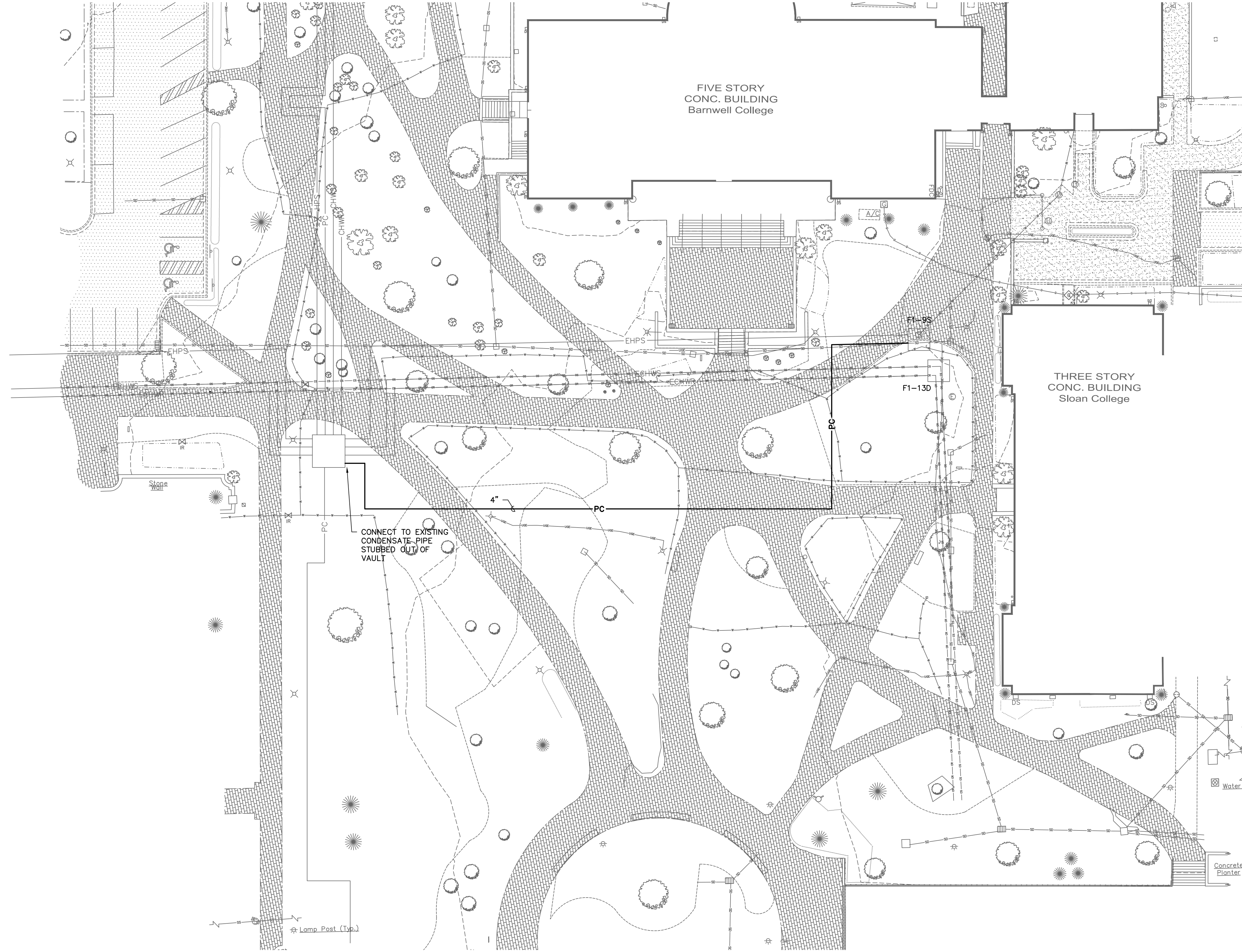
BUILDING: CP00422802
 DRAWING: CP00422802
 DATE: 16MAR15
 DESCRIPTION:

PROJECT TITLE: BARNWELL TO HAMILTON CONDENSATE LINE PROJECT
 PROJECT NO. CP00422802
 University of South Carolina

Swygert & Associates
 CONSULTING ENGINEERS
DBA Swygert & Assoc., Ltd. Telephone: (803) 791-9300
 Post Office Box 11686 Fax: (803) 791-9830
 Columbia, S.C. 29211 mail@swygert-associates.com

SHEET: T-1
 OF
 SHEET IN SET:
 OF

N:\PROJECTS\14155\DRAWINGS\HVAC\14155-M1.dwg



1
M-1

SITE PLAN - RENOVATION

SCALE: 1" = 20'



Swygert & Associates
CONSULTING ENGINEERS

DBA Swygert & Assoc., Ltd. Telephone: (803) 791-9300
Post Office Box 11686 Fax: (803) 791-9830
Columbia, S.C. 29211 mail@swygert-associates.com

SHEET:

M-1

OF

SHEET IN SET:

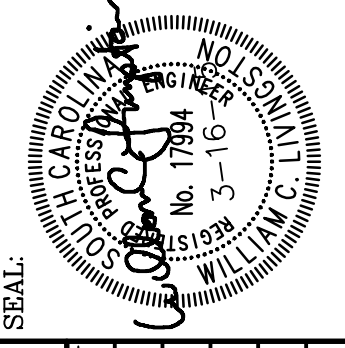
OF

PROJECT TITLE: BARNWELL TO HAMILTON CONDENSATE LINE PROJECT

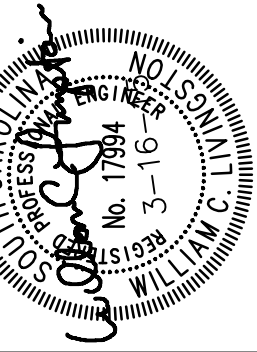
PROJECT NO. CP00422802

University of South Carolina

BUILDING REV.	DRAWING: CP00422802	DATE: 16MAR15	DESCRIPTION	DRAWN BY: WCL	DATE	CHECKED BY: WCL	DATE



CAMPUS PLANNING AND CONSTRUCTION
COLUMBIA, SC 29208



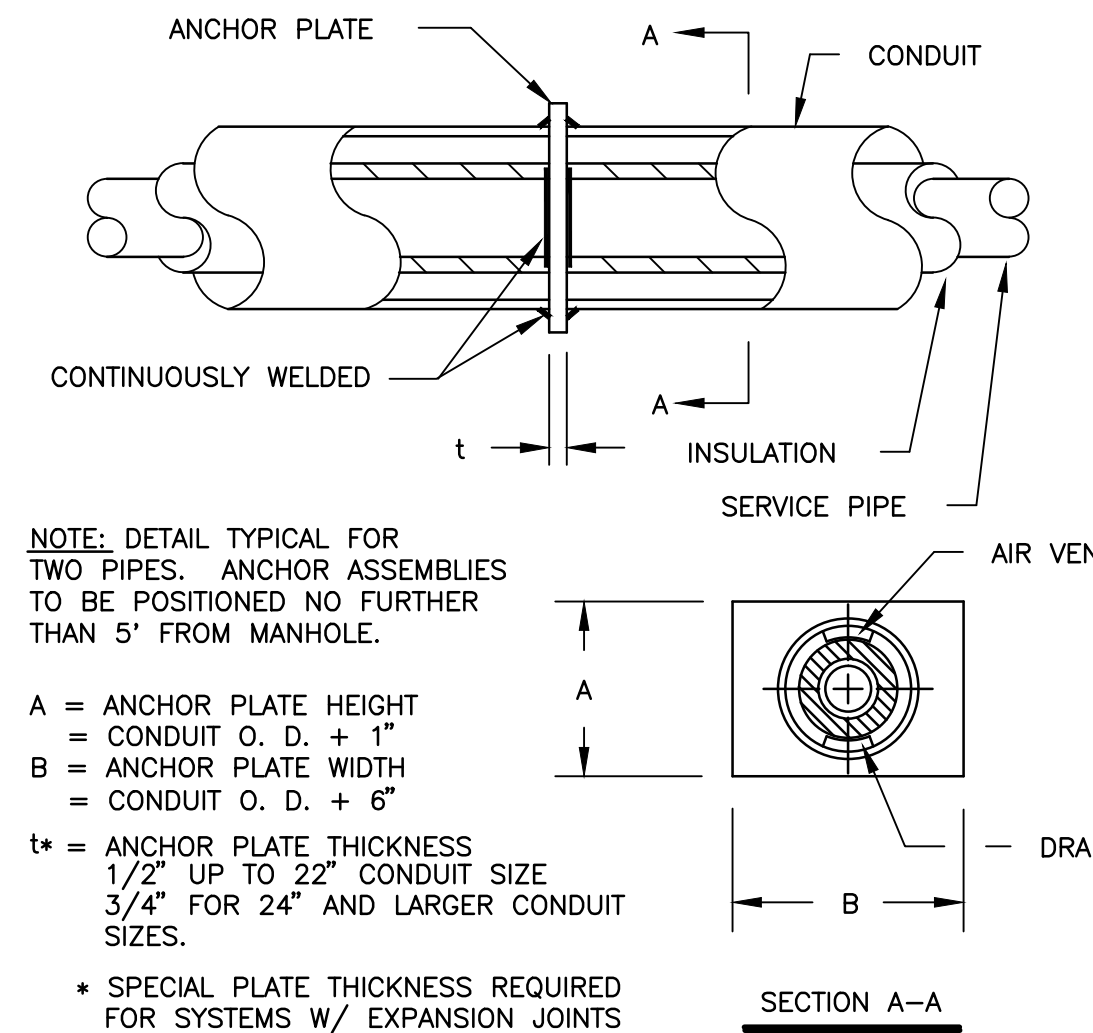
SEAL:	WCL
CHECKED BY:	WCL
ORIG. BY:	WCL
DATE:	16MAR15
DRAWN BY:	WCL
DATE:	16MAR15
DRAWING:	CP00422802
DESCRIPTION:	
BUILDING:	
REV:	

PROJECT TITLE: BARNWELL TO HAMILTON CONDENSATE LINE PROJECT
PROJECT NO. CP00422802
University of South Carolina

SHEET: M-2
OF
SHEET IN SET:

GENERAL NOTES

- DO NOT SCALE DRAWINGS. VERIFY ALL REQUIRED INFORMATION IN THE FIELD BY VISITING SITE PRIOR TO SUBMITTING BID.
- EXACT ROUTING OF PIPING SHALL BE SET IN FIELD TO MINIMIZE CONFLICTS WITH ALL ABOVE AND UNDERGROUND STRUCTURES, TREES, FENCES, WALKS, WALLS, AND UTILITIES.
- ALL PIPING IS SHOWN DIAGRAMMATIC. HOWEVER, CONTRACTOR SHALL PROVIDE ALL REQUIRED FITTINGS, PIPING, AND INSULATION FOR ALL OFFSETS AND/OR CHANGES IN ELEVATIONS. WHERE NECESSARY DUE TO INTERFERENCE, CONTRACTOR SHALL MODIFY EXISTING PIPING, EQUIPMENT, ETC.
- ALL VALVES AND SPECIALTIES SHALL BE LINE SIZE UNLESS INDICATED OTHERWISE ON DRAWINGS.
- ALL STEAM AND PUMPED CONDENSATE SHALL PITCH DOWN A MINIMUM OF ONE INCH PER FIFTY FEET.
- ALL OPENINGS THROUGH EXISTING STRUCTURES SHALL BE CORE DRILLED.
- COLD SPRING ALL STEAM LINES FIFTY (50) PERCENT.
- WHERE PIPING ENTERS MANHOLE CONSTRUCT ENTRY AS REQUIRED. ALL PIPES TO BE SLEEVED AND LINK SEALED TO MAKE WATERTIGHT.
- ALL PIPING AND FITTINGS IN MANHOLES TO BE INSULATED, SEE SPECIFICATIONS.
- CONTRACTOR SHALL COORDINATE AND OBTAIN APPROVAL FROM OWNER FOR INTERRUPTIONS AND CONNECTIONS TO EXISTING UTILITY SYSTEMS.
- CONTRACTOR SHALL COORDINATE TREE AND LANDSCAPING REPLACEMENT WITH USC. IN GENERAL USC WILL REPLACE SMALL TREES THAT ARE NOTED TO BE REPLACED. CONTRACTOR IS RESPONSIBLE FOR SOD REPLACEMENT.
- CONTRACTOR IS RESPONSIBLE FOR REMOVAL AND REPLACEMENT OF ALL BRICK PAVERS TO MATCH THE EXISTING CONDITION.
- CONTRACTOR SHALL CONTACT PALMETTO UTILITY PROTECTION SERVICES TO LOCATE UTILITIES PRIOR TO DIGGING. INFORMATION OBTAINED FROM PALMETTO UTILITY PROTECTION SERVICES AND DURING DIGGING SHALL BE INDICATED ON THE AS-BUILT DRAWINGS.
- CONSTRUCT TEMPORARY FENCING AROUND PROJECT AREA TO PROTECT THE SITE AND PEDESTRIANS.

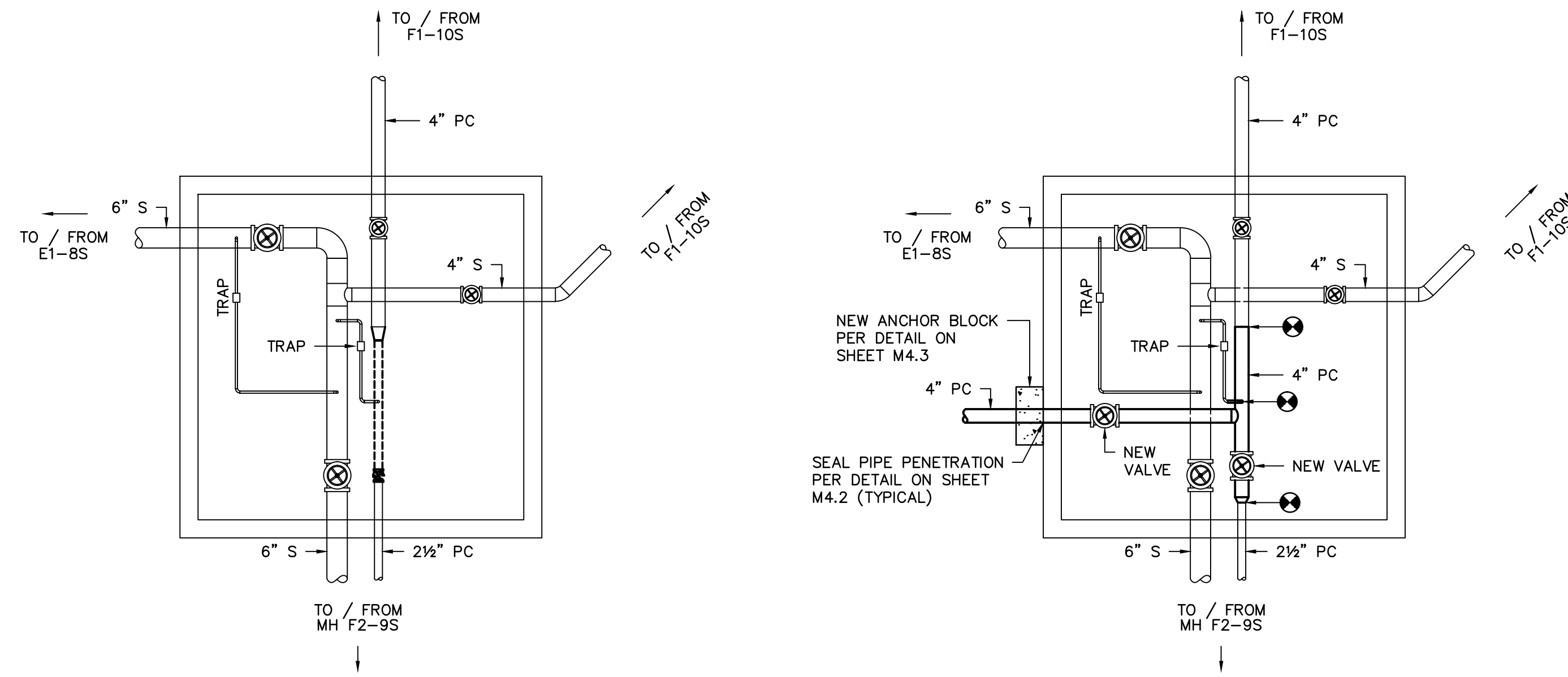


STANDARD ANCHOR ASSEMBLY

NO SCALE

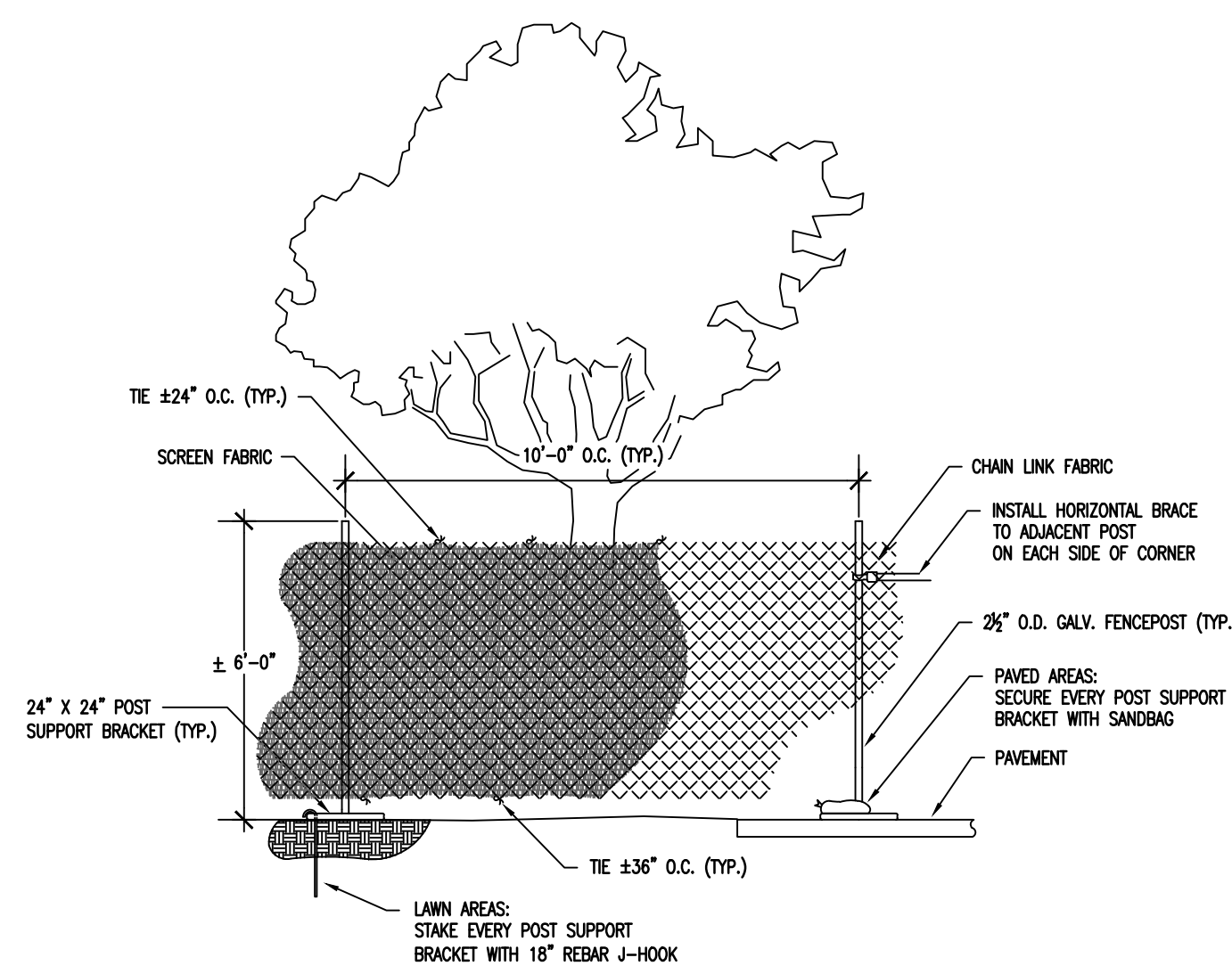
LEGEND

SYMBOL	DESCRIPTION
⌒-S-⌒	NEW HIGH PRESSURE STEAM LINE
⌒-PC-⌒	NEW PUMPED CONDENSATE LINE
⌒-⋯-⌒	EXISTING PIPE TO BE REMOVED OR ABANDONED
⌒-PC-⌒	EXISTING PUMPED CONDENSATE LINE
⌒-S-⌒	EXISTING HIGH PRESSURE STEAM LINE
⌒-GC-⌒	EXISTING GRAVITY CONDENSATE LINE
⌒-CR-⌒	EXISTING CHILLED WATER RETURN LINE
⌒-CS-⌒	EXISTING CHILLED WATER SUPPLY LINE
⌒-E-⌒	EXISTING HIGH VOLTAGE ELECTRICAL LINE
⌒-C-⌒	EXISTING COMMUNICATIONS LINE
⌒-EC-⌒	EXISTING ELECTRICAL AND COMMUNICATIONS PRIMARY DUCT
⌒-SS-⌒	EXISTING SANITARY SEWER LINE
⌒-HG-⌒	EXISTING HIGH PRESSURE GAS LINE
⌒-LG-⌒	EXISTING LOW PRESSURE GAS LINE
⌒-SD-⌒	EXISTING STORM DRAIN LINE
⌒-⊗-⌒	VELAN GATE VALVE, SEE SPECS
⊗	CONNECTION POINT OF NEW TO EXISTING



DEMOLITION MANHOLE F1-9S
NO SCALE

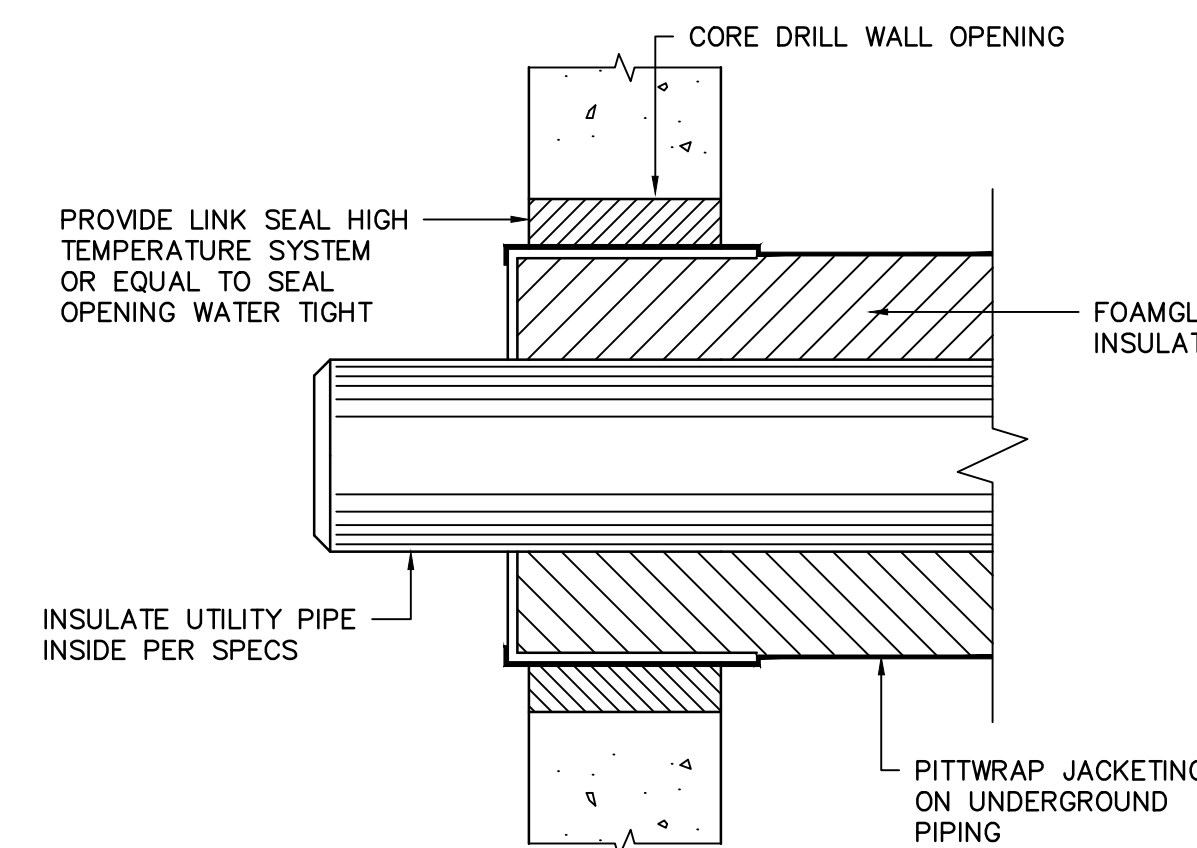
RENOVATION MANHOLE F1-9S
NO SCALE



- NOTES:
- TREE PROTECTION FENCING SHALL BE PLACED BETWEEN ALL EXISTING TREES AND AROUND PROJECT WORK AREA AS APPROVED BY USC.
 - SEE "USC SUPPLEMENTAL GENERAL CONDITIONS FOR CONSTRUCTION PROJECTS" FOR ADDITIONAL INFORMATION.
 - PROVIDE PROTECTION FENCE FOR ALL TREES TO REMAIN.
 - PROTECTION FENCING TO BE PLACED OUTSIDE OF DRIFLINE OF TREE CANOPY UNLESS OTHERWISE APPROVED BY USC PROJECT MANAGER.
 - A 4" LAYER OF HARDWOOD MULCH SHALL BE PLACED OVER TREE PROTECTION AREA.
 - PROTECTION FENCING SHALL BE IN PLACE AND HARDWOOD MULCH PLACED PRIOR TO BEGINNING CONSTRUCTION.
 - REQUESTS FOR PAYMENT SHALL NOT BE APPROVED UNTIL PROTECTION FENCING AND MULCH IS IN PLACE.
 - LOCATION OF THE PROTECTION FENCING SHALL BE MARKED BY USC ARBORIST AND APPROVED BY USC PROJECT MANAGER BEFORE INSTALLATION. WHERE CONSTRUCTION IS LIKELY TO OCCUR WITHIN 5' OF PROPOSED LOCATION OF PROTECTION FENCING, CONTRACTOR SHALL HAVE LIMITS OF CONSTRUCTION MARKED BY SURVEY BEFORE PROTECTION FENCING IS INSTALLED.
 - SCREEN FABRIC SHALL BE DARK GREEN 85% OPAQUE, POLYETHYLENE KNIT MESH, UV STABILIZED WITH BURST STRENGTH OF AT LEAST 210 P.S.I.

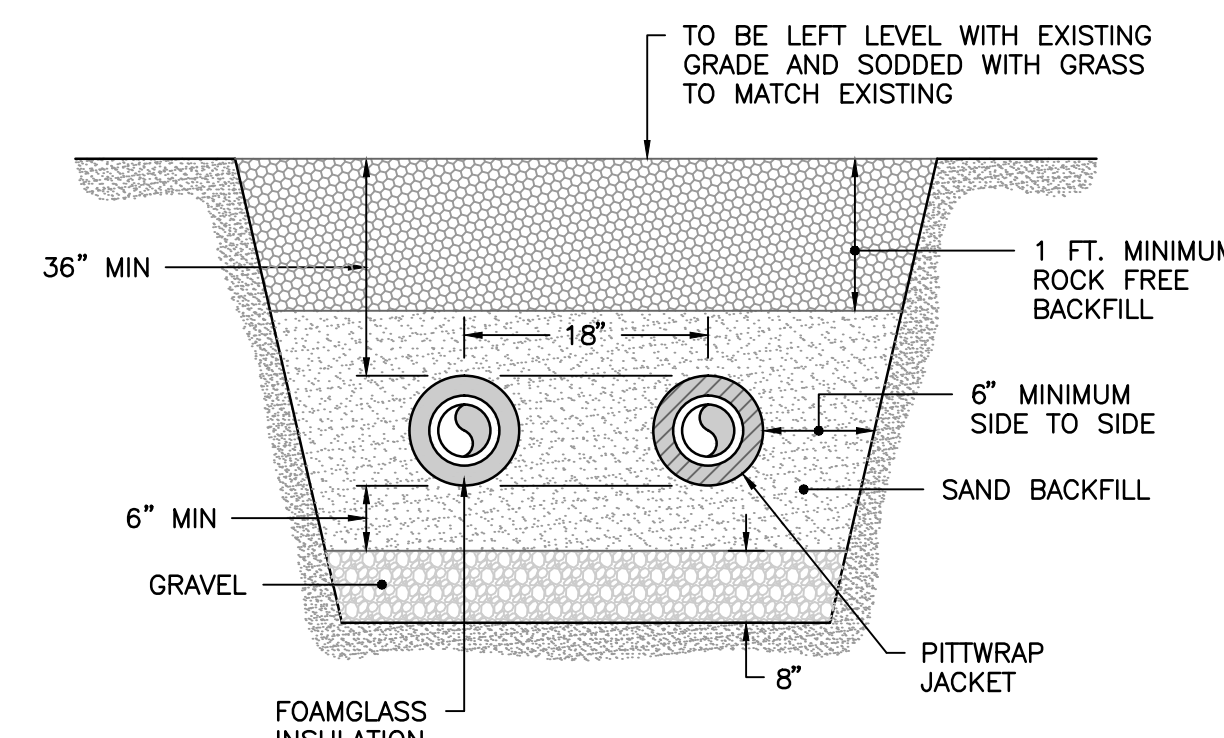
WORK AREA SCREENING AND TREE PROTECTION FENCE PANEL DETAIL

NO SCALE



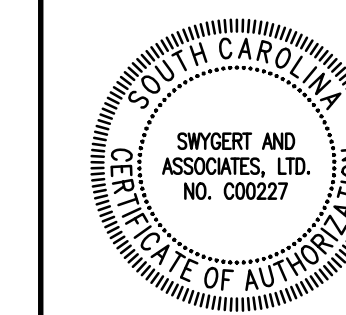
UTILITY PIPE ENTRY DETAIL

NO SCALE



BACKFILL DETAIL

NO SCALE



Swygert & Associates
CONSULTING ENGINEERS

DBA Swygert & Assoc., Ltd. Telephone: (803) 791-9300
Post Office Box 11686 Fax: (803) 791-9830
Columbia, S.C. 29211 mail@swygert-associates.com